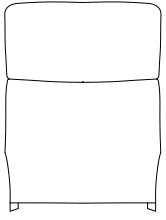
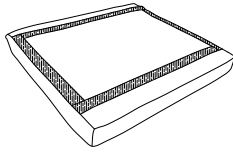


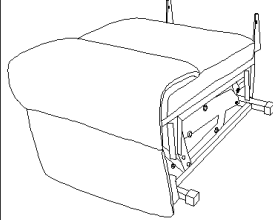
# ASSEMBLY INSTRUCTIONS



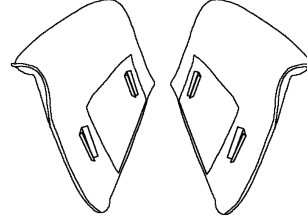
1 PCS



1 PCS



1 PCS



1 PCS

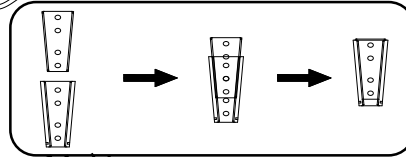
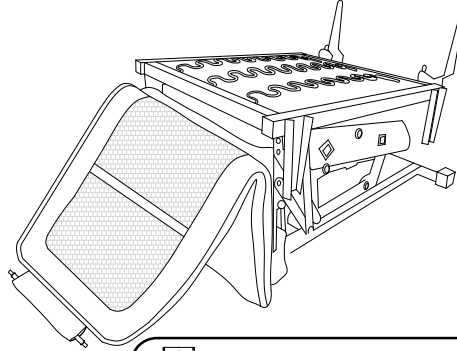
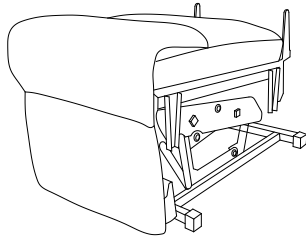


1 PCS

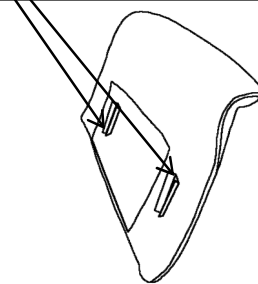
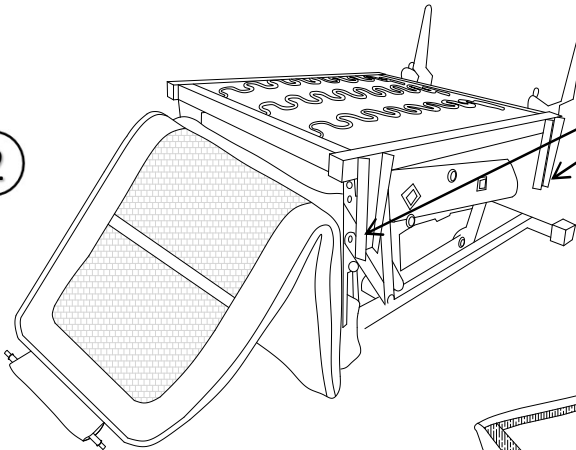


1 PCS

1

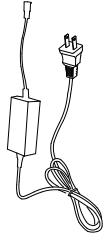
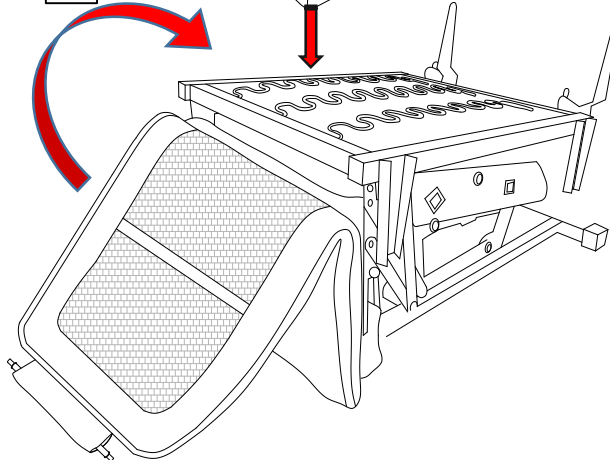
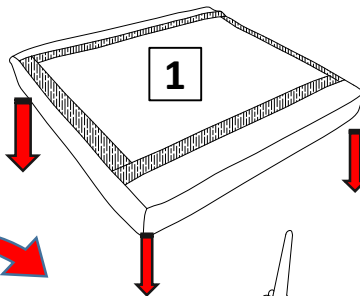
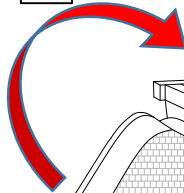


2



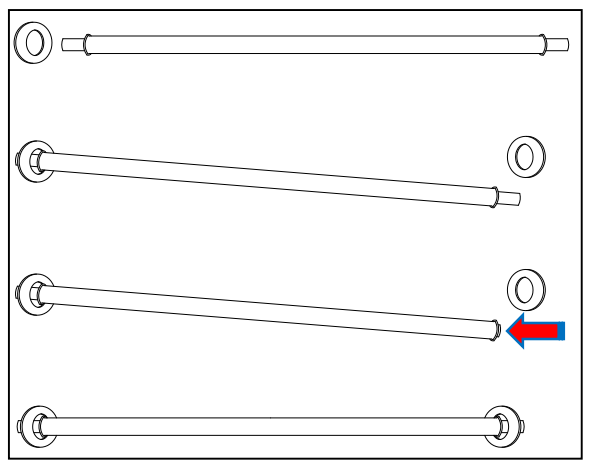
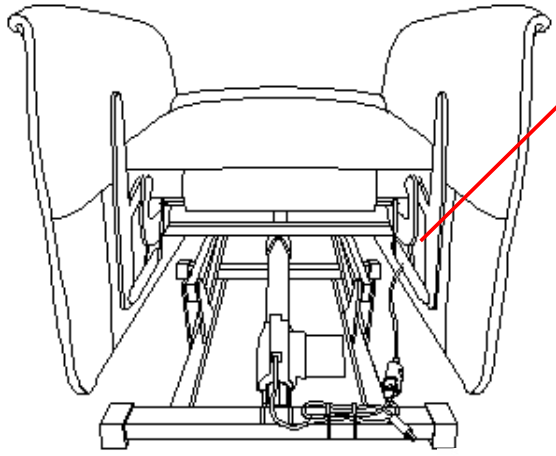
3

2

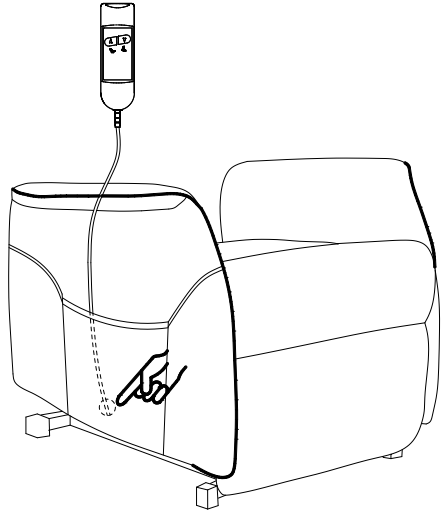


1 PCS

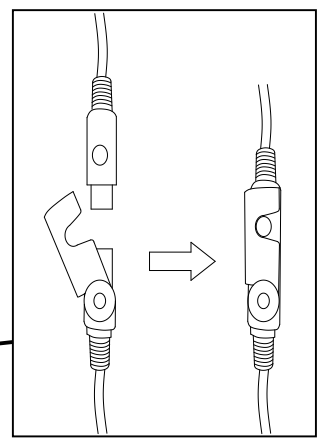
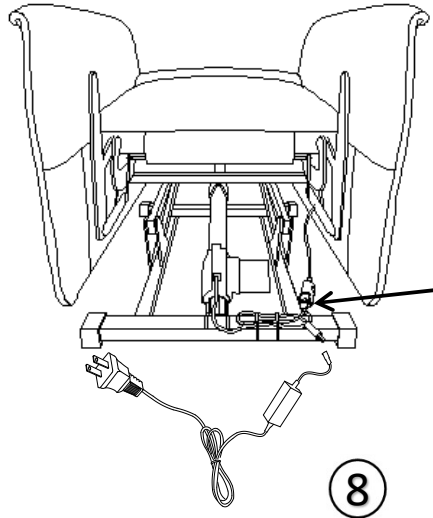
4



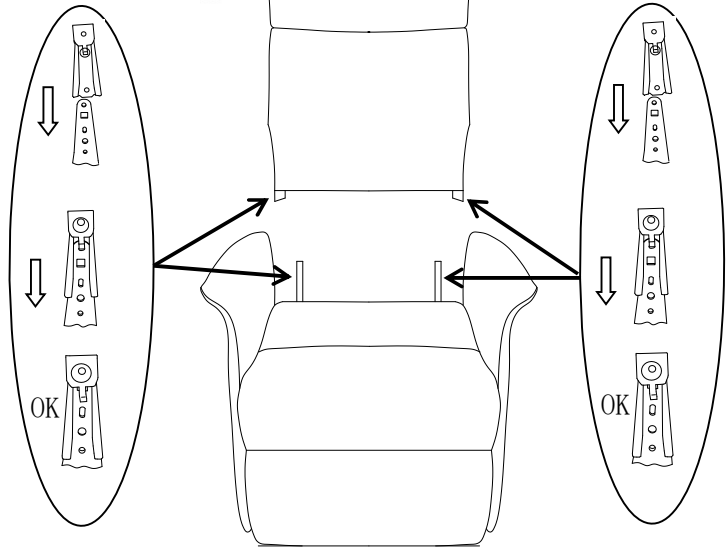
5



6



7



8

